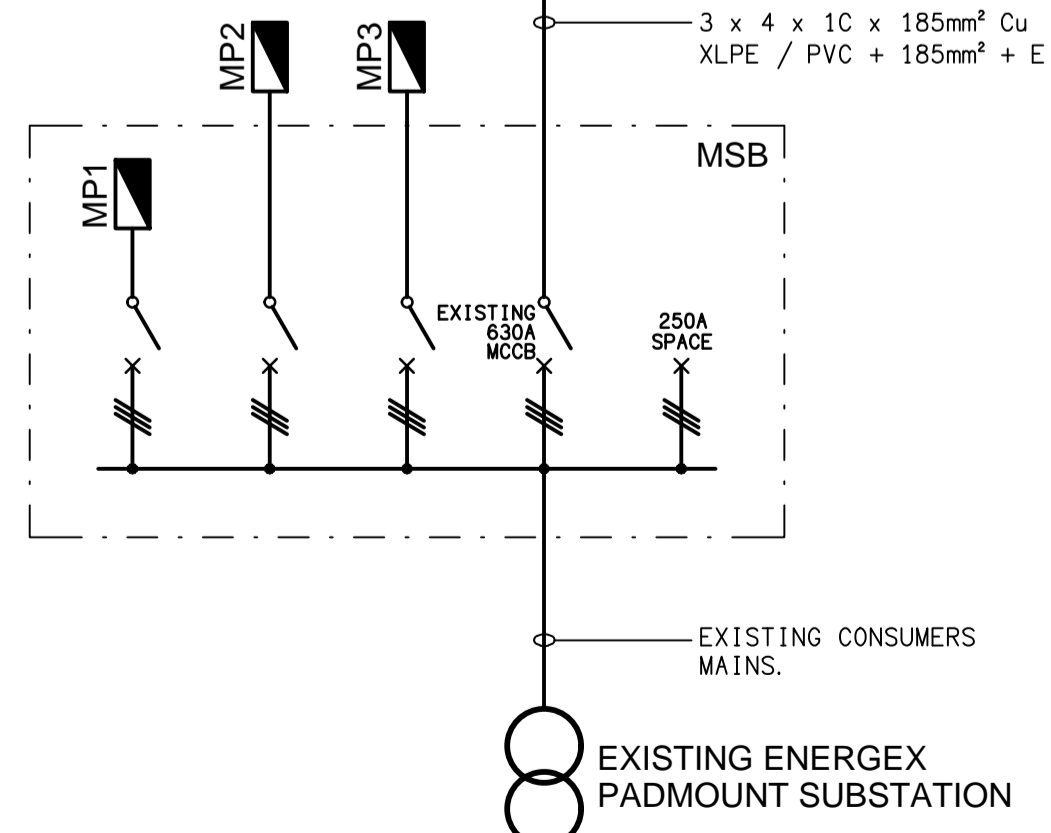


MDB
MP4
17KA RMS
1-SEC

REFER TO THE
DB-E SCHEMATIC
ON DRAWING
C3252a-E12.dwg
FOR DETAILS OF
DB-E

NOTE
PROVIDE THE APARTMENT SUPPLY CIRCUIT
BREAKERS AS 3 PHASE 63 AMP AND THE
APARTMENT SUBMANS AS 4C16mm[2]Cu XLPE /
PVC + E.



ELECTRICAL DESIGN GROUP BRISBANE PTY LTD ACN 092 710 793 TRADING AS: ELECTRICAL DESIGN GROUP	THE COPYRIGHT OF THIS DRAWING REMAINS THE PROPERTY OF THE ELECTRICAL DESIGN GROUP. USE FIGURED DIMENSIONS IN PREFERENCE TO SCALE. ALL DIMENSIONS TO BE VERIFIED ONSITE.	ELECTRICAL DESIGN GROUP ELECTRICAL BUILDING SERVICES CONSULTANTS BRISBANE GOLD COAST P.O. Box 15, Sherwood Q.4075 Phone: (07) 3278 4375 Email: brisbane@edg.net.au Web: www.edg.net.au	PROJECT: 19 GOVERNOR TERRACE - STAGE 3	B TENDER REV: DESCRIPTION:	23/08/2024 DATE:
			PROJECT: 19 GOVERNOR TERRACE, MURARRIE, QUEENSLAND	DRAWING: ELECTRICAL SERVICES POWER SCHEMATIC	
			SCALE: NOT TO SCALE AT A1	PROJECT NO: C3252a	DRAWING NO: E02
				REVISION: B	